

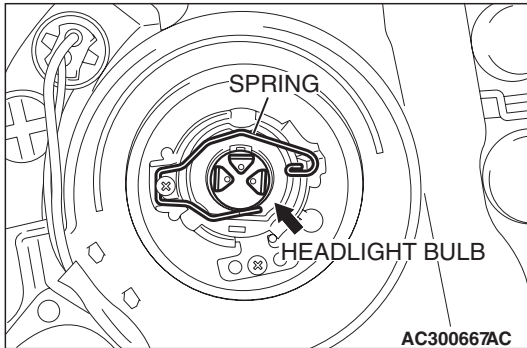
BULB REPLACEMENT

M1542001300722

Headlight Bulb**⚠ CAUTION**

Do not touch the surface of the bulb with hands or dirty gloves as the bulb may pop after a short time. If the surface does become dirty, clean it with alcohol or thinner, and let it dry thoroughly before installing.

1. Disconnect the battery.
2. Disconnect the connector.
3. Remove the socket cover.
4. Remove bulb mounting spring to pull out bulb.
5. After bulb is replaced, properly reconnect connector.

**Position Light Bulb****⚠ CAUTION**

Do not touch the bulb surface bare-handed or with dirty gloves. If dirt is attached on surface of the bulb, immediately use alcohol or thinner to remove dirt, and install the bulb after well dried.

1. Disconnect the connector.
2. Screw out the position light socket to pull out position light bulb.

