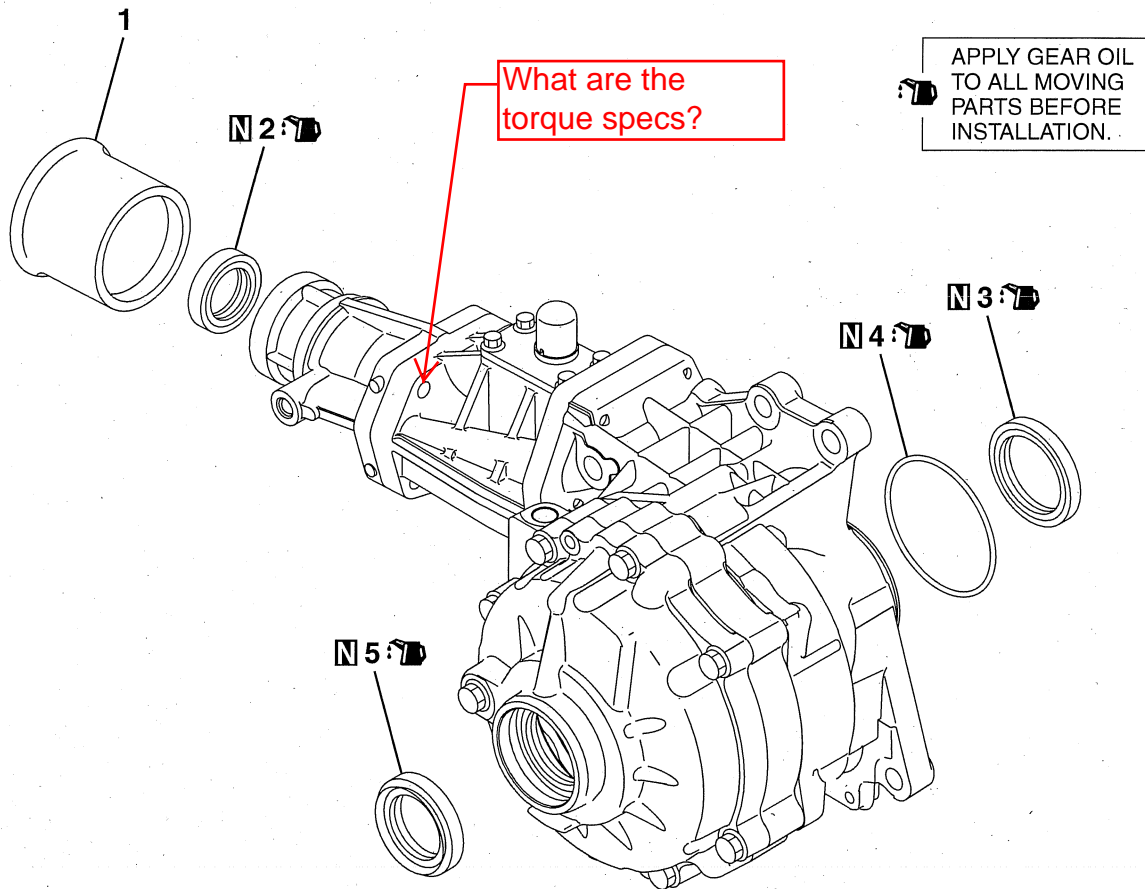


TRANSFER

DISASSEMBLY AND ASSEMBLY

M1222004000158



AK402153AB

DISASSEMBLY STEPS

- >>D<< 1. DUST SEAL GUIDE
- >>C<< 2. OIL SEAL
- >>C<< 3. OIL SEAL

DISASSEMBLY STEPS

- >>B<< 4. O-RING
- >>A<< 5. OIL SEAL

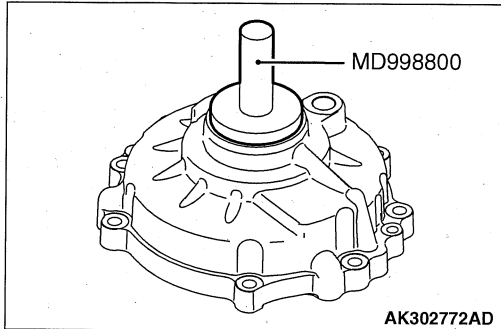
Required Special Tools:

- MD998800: Oil Seal Installer
- MD999506: Crankshaft Installer
- MB990936: Installer Adapter

ASSEMBLY SERVICE POINTS

>>A<< OIL SEAL INSTALLATION

1. Apply gear oil (Hypoid gear oil API classification GL-5 SAE 90).
2. Using special tool MD998800, press fit the oil seal into the transfer cover.

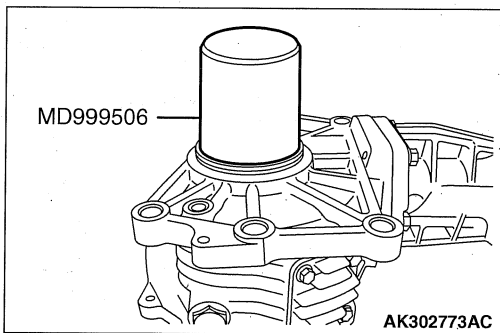


>>B<< O-RING INSTALLATION

Install a O-ring to the transfer, and apply gear oil (Hypoid gear oil API classification GL-5 SAE 90) to the O-ring.

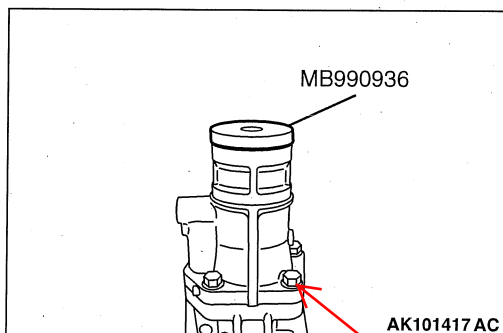
>>C<< OIL SEAL INSTALLATION

1. Apply gear oil (Hypoid gear oil API classification GL-5 SAE 90).
2. Using special tool MD999506, press fit the oil seal into the transfer.



>>D<< OIL SEAL INSTALLATION

1. Apply gear oil (Hypoid gear oil API classification GL-5 SAE 90).
2. Using special tool MB990936, press fit the oil seal into the transfer.



What are the
torque specs?