

2010 Mitsubishi Lancer Ralliart L4-2.0L Turbo (4B11T)

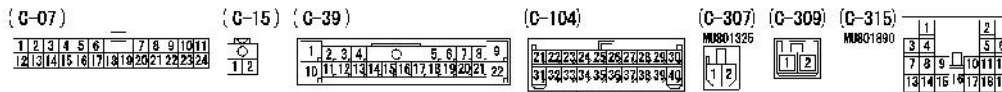
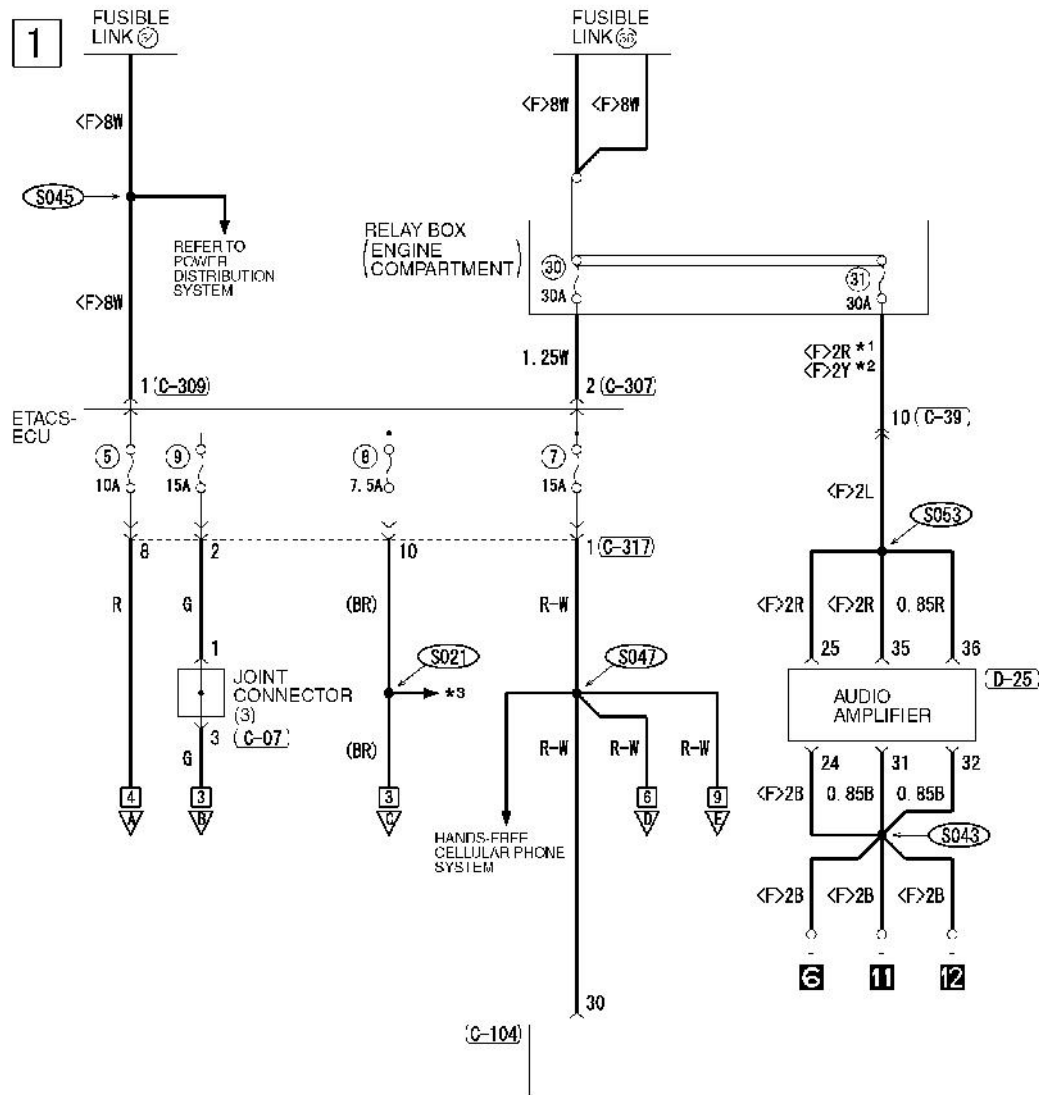
Vehicle > Accessories and Optional Equipment > Radio, Stereo, and Compact Disc > Diagrams > Electrical (OE)

# AUDIO SYSTEM (VEHICLES WITH AUDIO AMPLIFIER)

## Audio System [Vehicles With Audio Amplifier] (Part 1)

### AUDIO SYSTEM <VEHICLES WITH AUDIO AMPLIFIER>

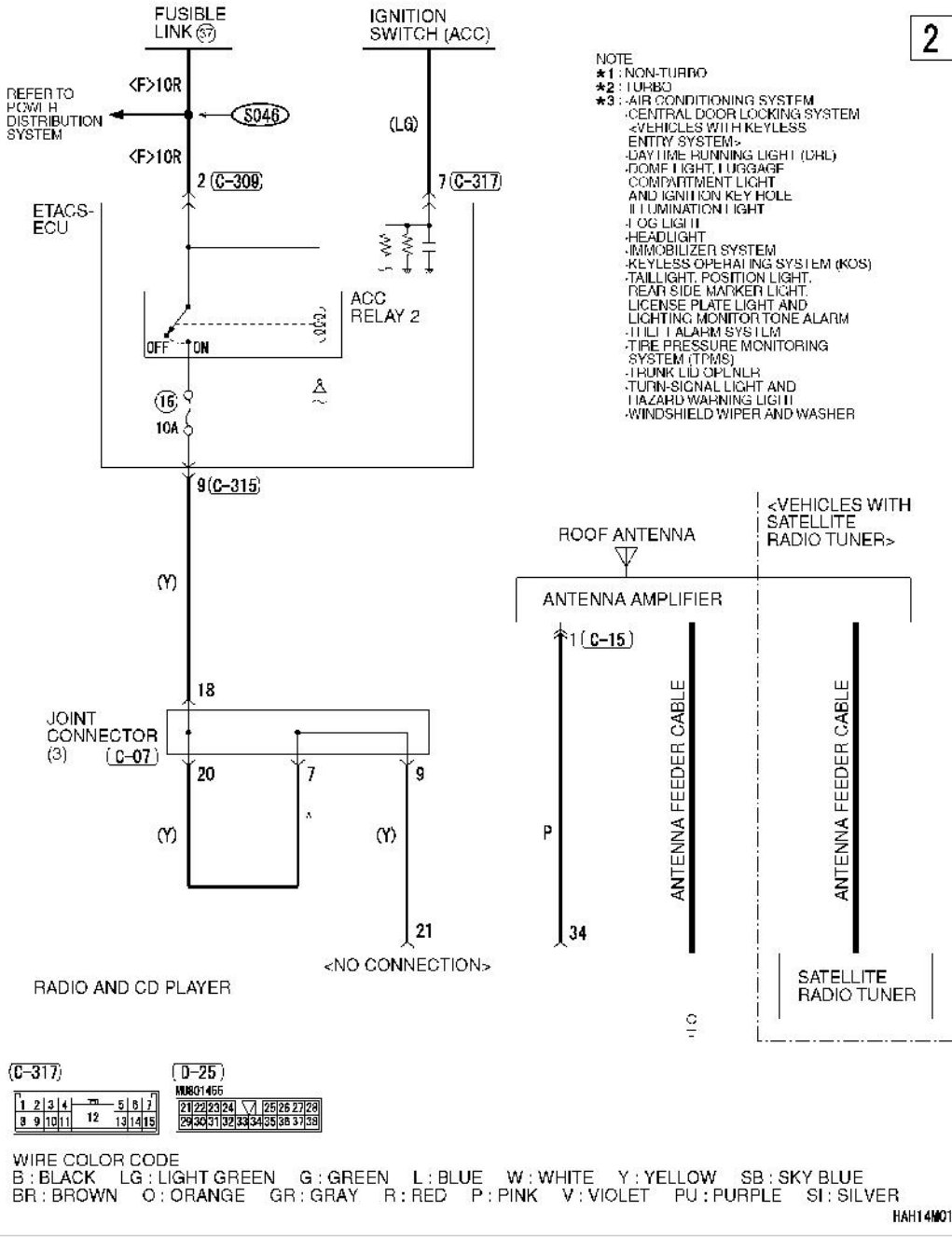
M1901015605498



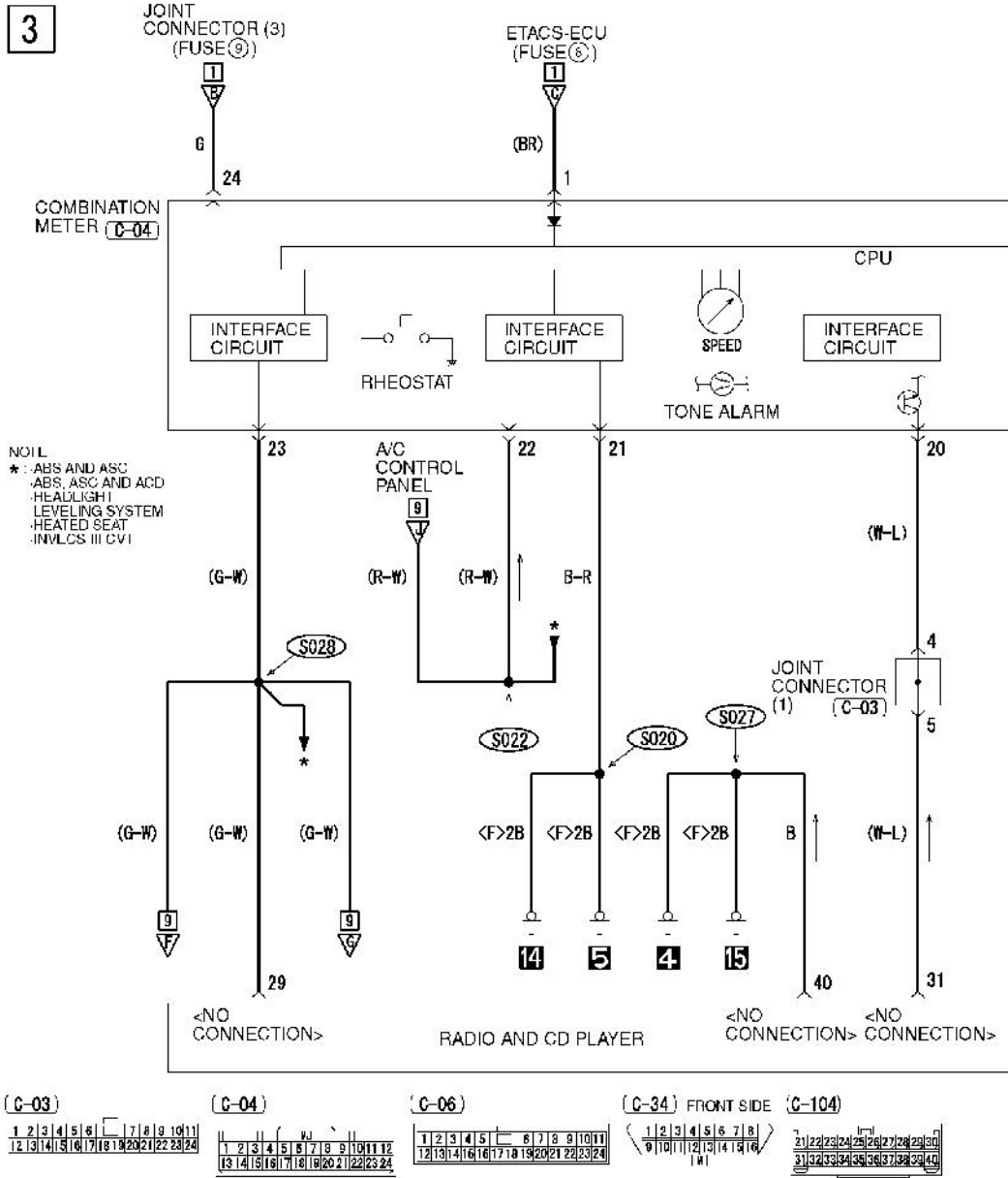
HAH14M01AA

## Audio System [Vehicles With Audio Amplifier] (Part 2)

2



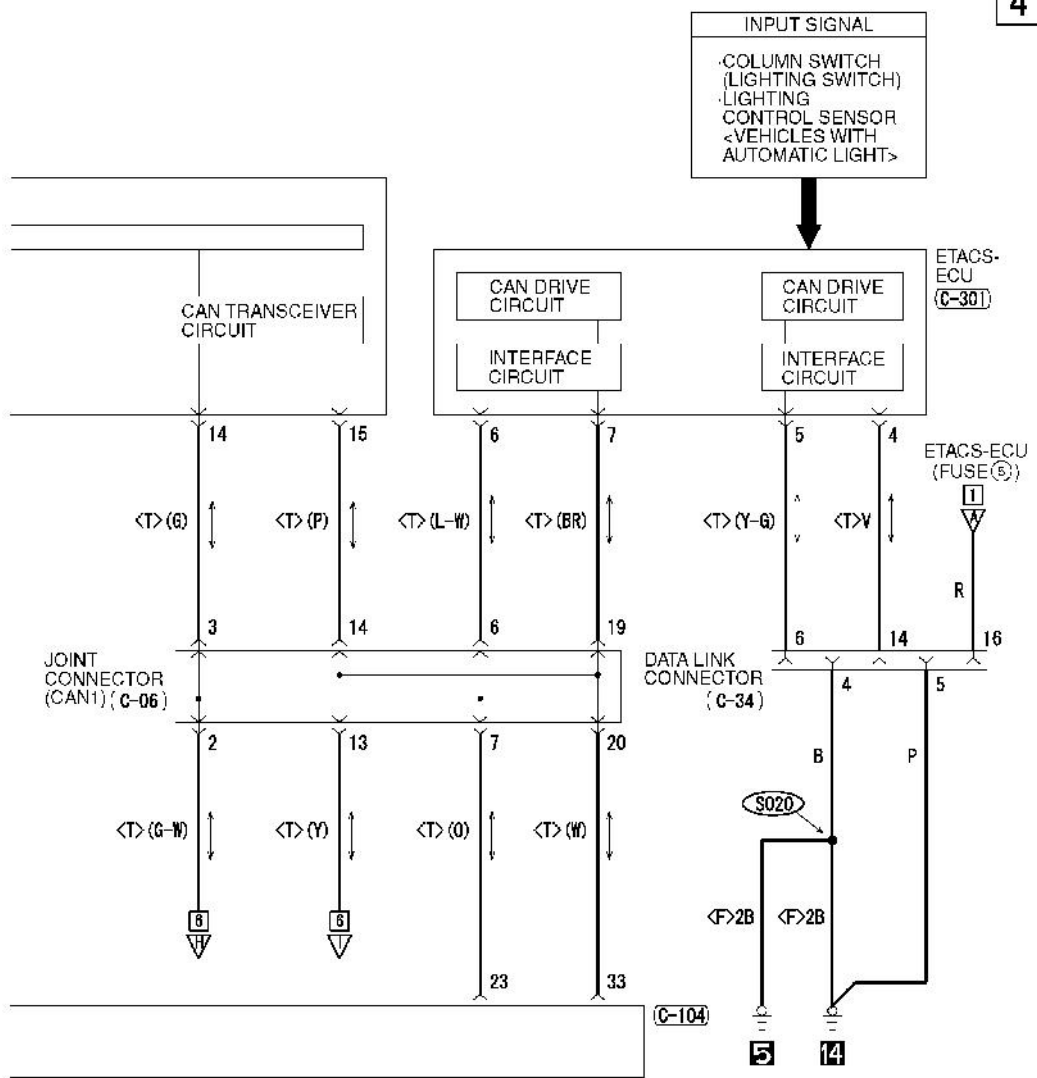
Audio System [Vehicles With Audio Amplifier] (Part 3)



HAH14M018A

Audio System [Vehicles With Audio Amplifier] (Part 4)

4



(C-301)

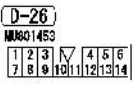
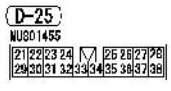
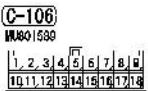
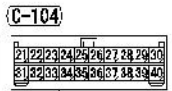
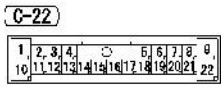
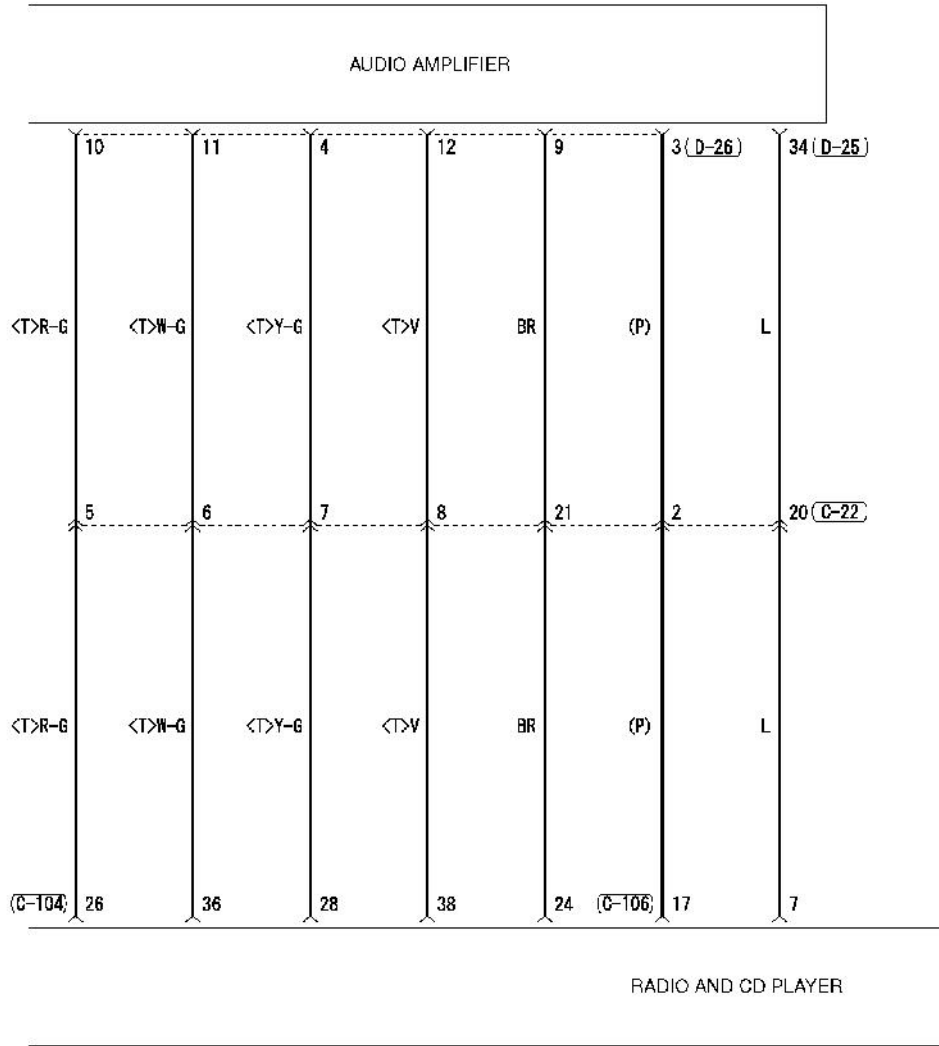
1	2	3	4	5	6	7	8	9	10	11		
12	13	14	15	16	17	18	19	20	21	22	23	24

WIRE COLOR CODE  
 B: BLACK LG: LIGHT GREEN G: GREEN L: BLUE W: WHITE Y: YELLOW SB: SKY BLUE  
 BR: BROWN O: ORANGE GR: GRAY R: RED P: PINK V: VIOLET PU: PURPLE SI: SILVER

HAH14M01BB

Audio System [Vehicles With Audio Amplifier] (Part 5)

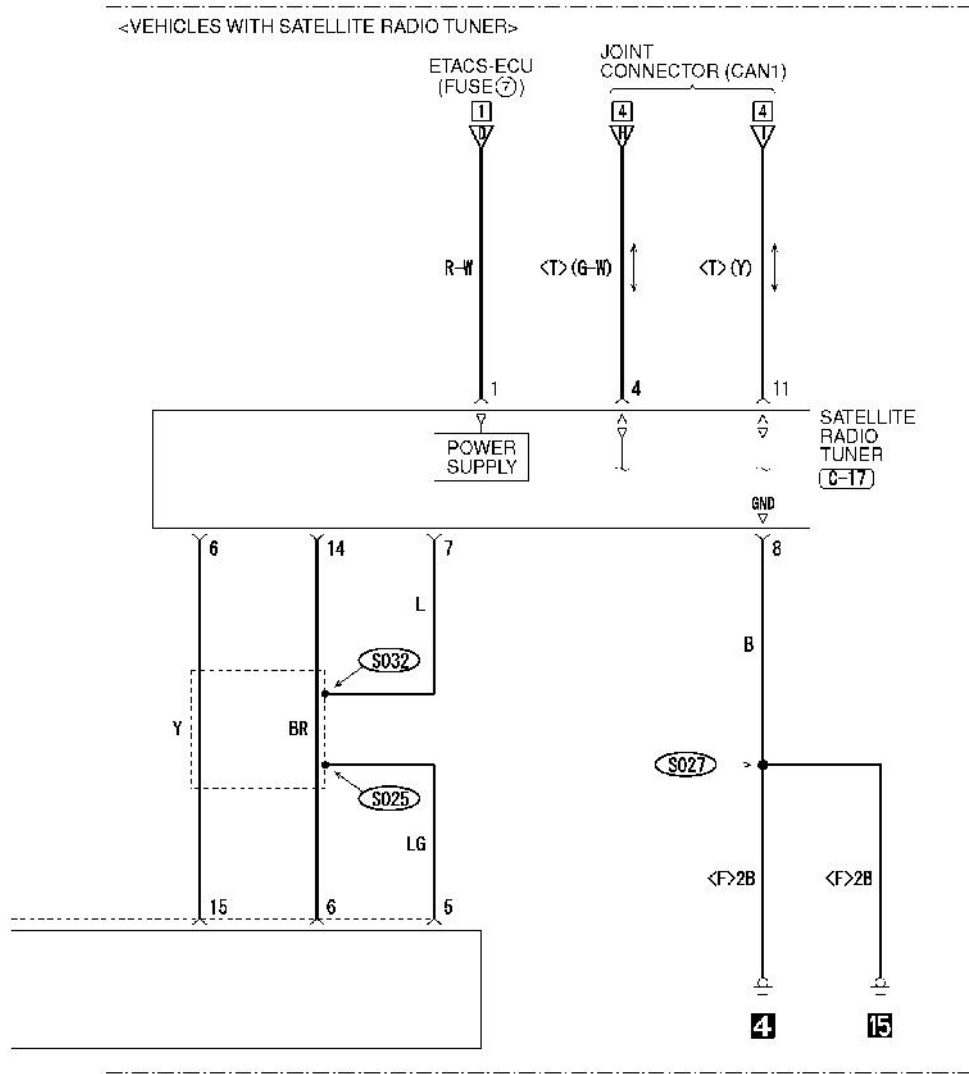
5



HAH14M01CA

Audio System [Vehicles With Audio Amplifier] (Part 6)

6

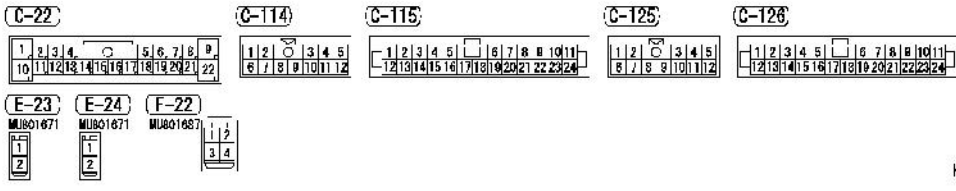
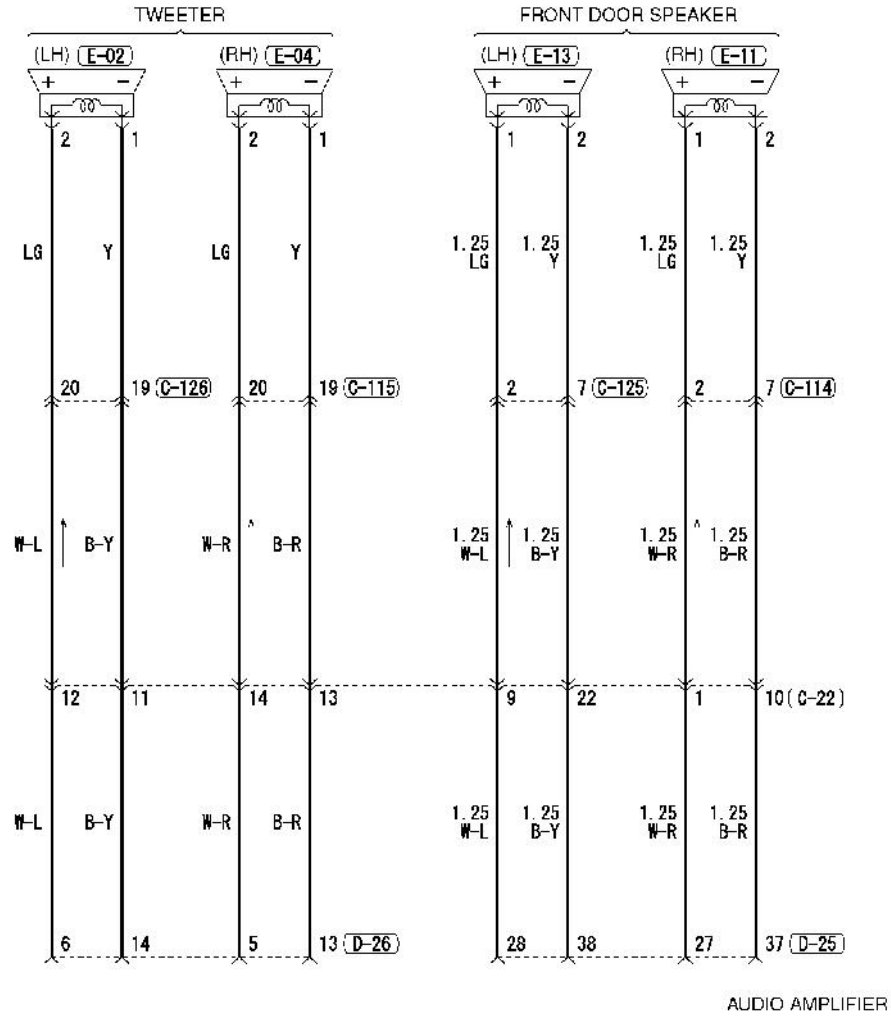


WIRE COLOR CODE  
 B:BLACK LG:LIGHT GREEN G:GREEN L:BLUE W:WHITE Y:YELLOW SB:SKY BLUE  
 BR:BROWN O:ORANGE GR:GRAY R:RED P:PINK V:VIOLET PU:PURPLE SI:SILVER

HAH14M01GB

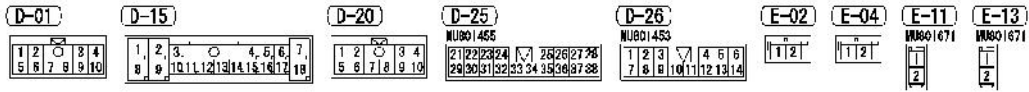
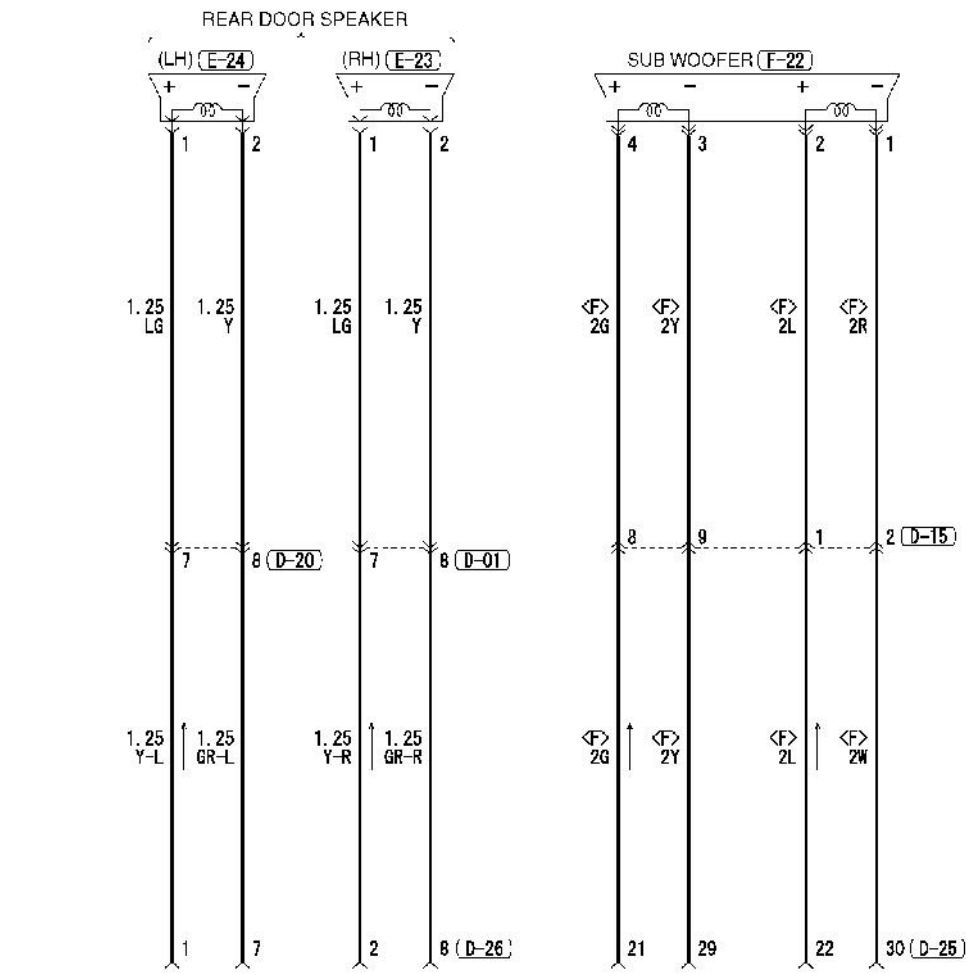
Audio System [Vehicles With Audio Amplifier] (Part 7)

7



HAH14M01DA

Audio System [Vehicles With Audio Amplifier] (Part 8)

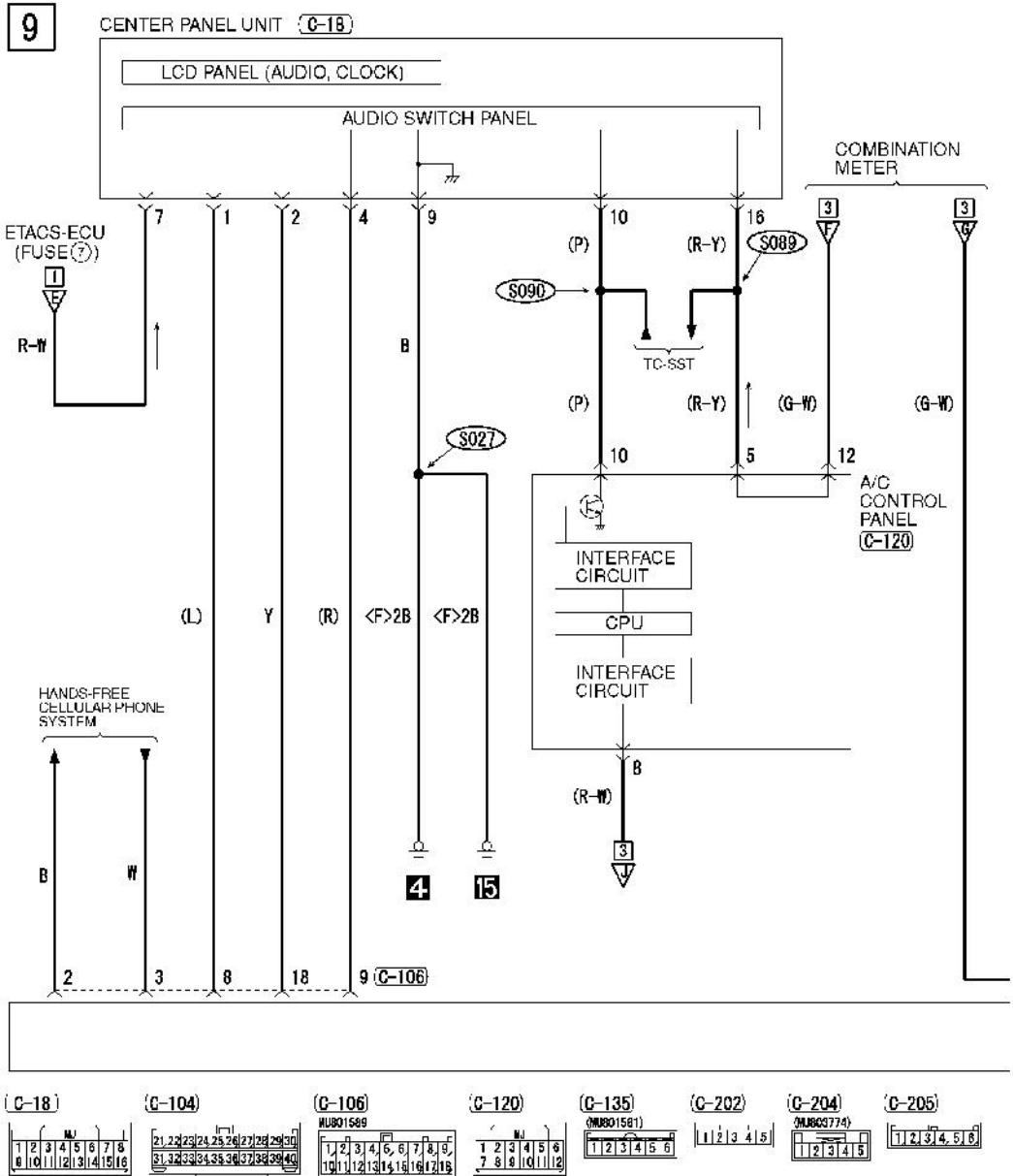


WIRE COLOR CODE  
 B: BLACK LG: LIGHT GREEN G: GREEN L: BLUE W: WHITE Y: YELLOW SB: SKY BLUE  
 BR: BROWN O: ORANGE GR: GRAY R: RED P: PINK V: VIOLET PU: PURPLE SI: SILVER

HAH14N01DB

Audio System [Vehicles With Audio Amplifier] (Part 9)

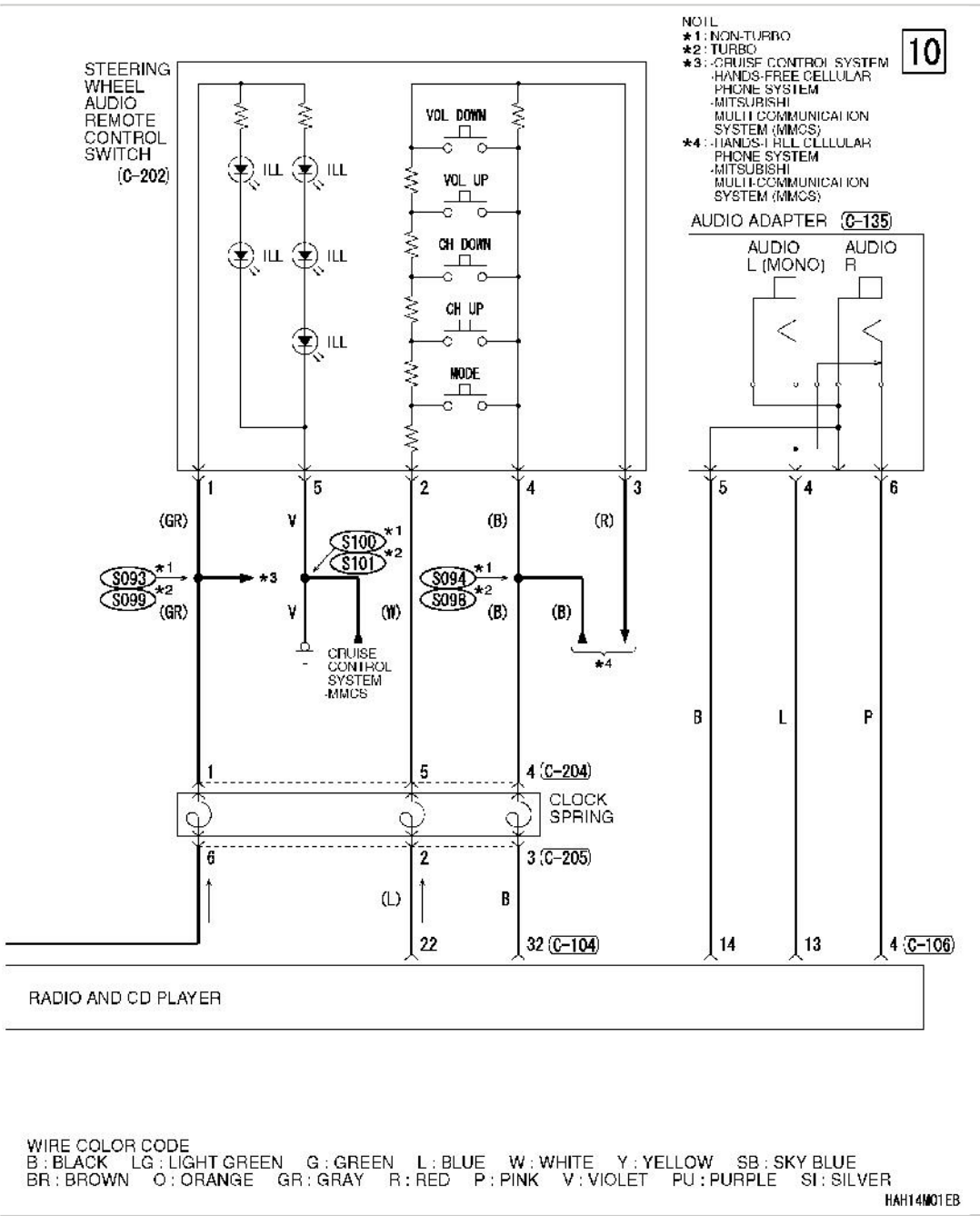




HAH14N01EA

Audio System [Vehicles With Audio Amplifier] (Part 10)

10



**Connector/Component Locations:** The locations of connectors and components referred to within these diagrams can be found via the connector number at Vehicle Connector Locations. See: Vehicle > Connectors

**Splice Locations:** The locations of Splices referred to within these diagrams can be found via the splice number at Vehicle Splice Locations. See: Vehicle > Splices

**Ground Locations:** The locations of grounds referred to within these diagrams can be found via the ground number at Vehicle Ground Locations. See: Vehicle > Grounds

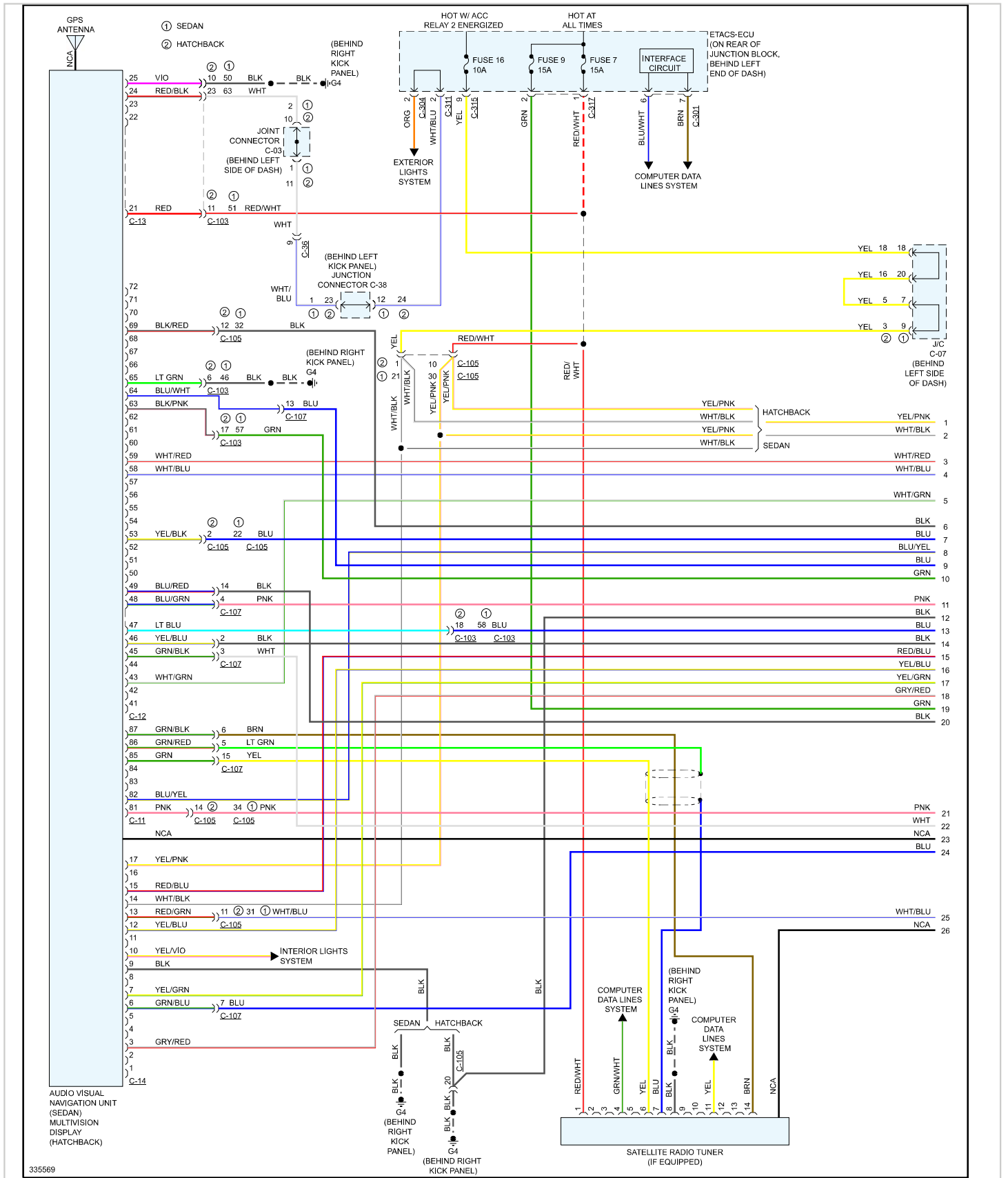
2010 Mitsubishi Lancer Ralliart L4-2.0L Turbo (4B11T)

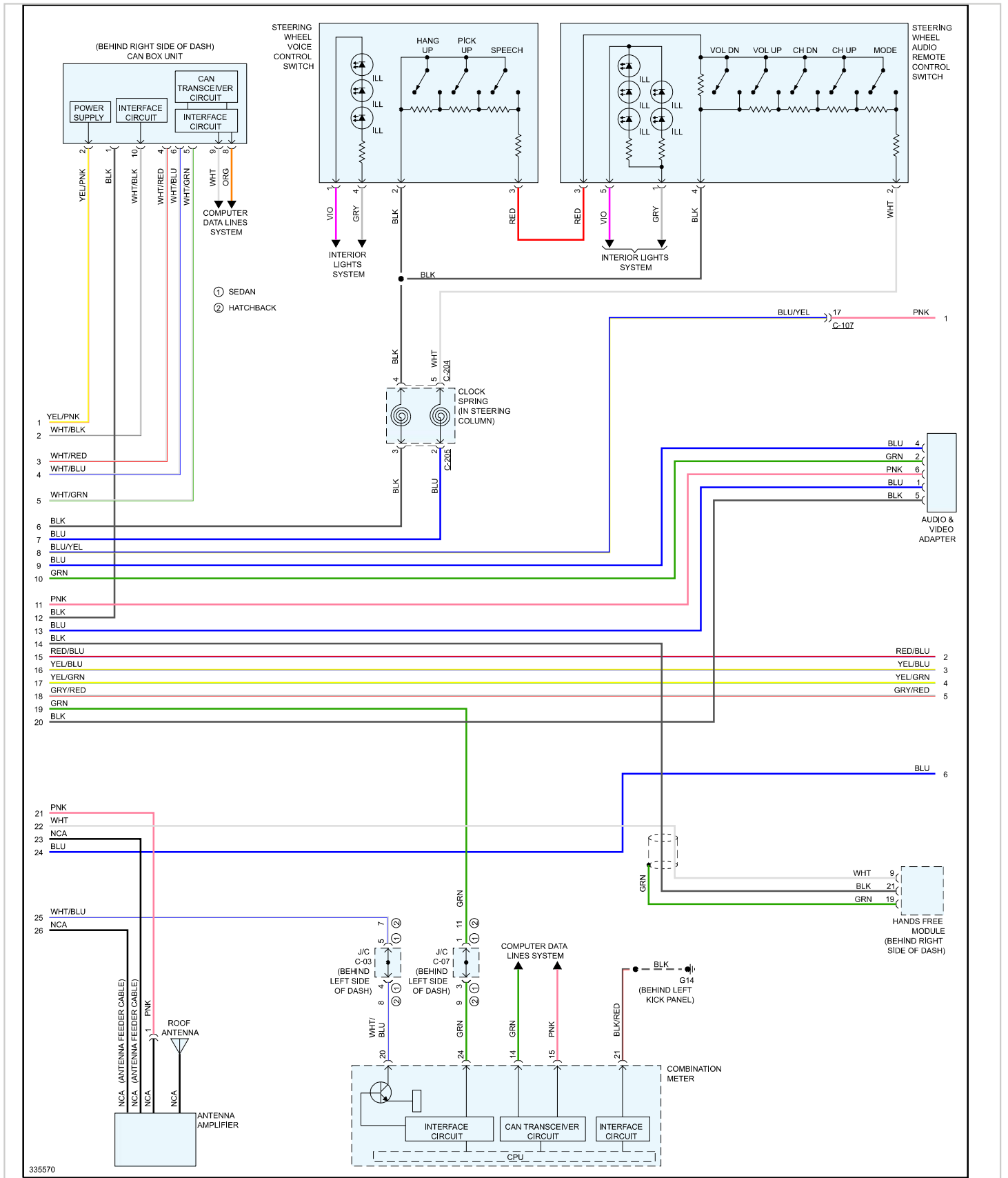
Vehicle > Accessories and Optional Equipment > Radio, Stereo, and Compact Disc > Diagrams > Electrical -  
Interactive Color (Non OE)

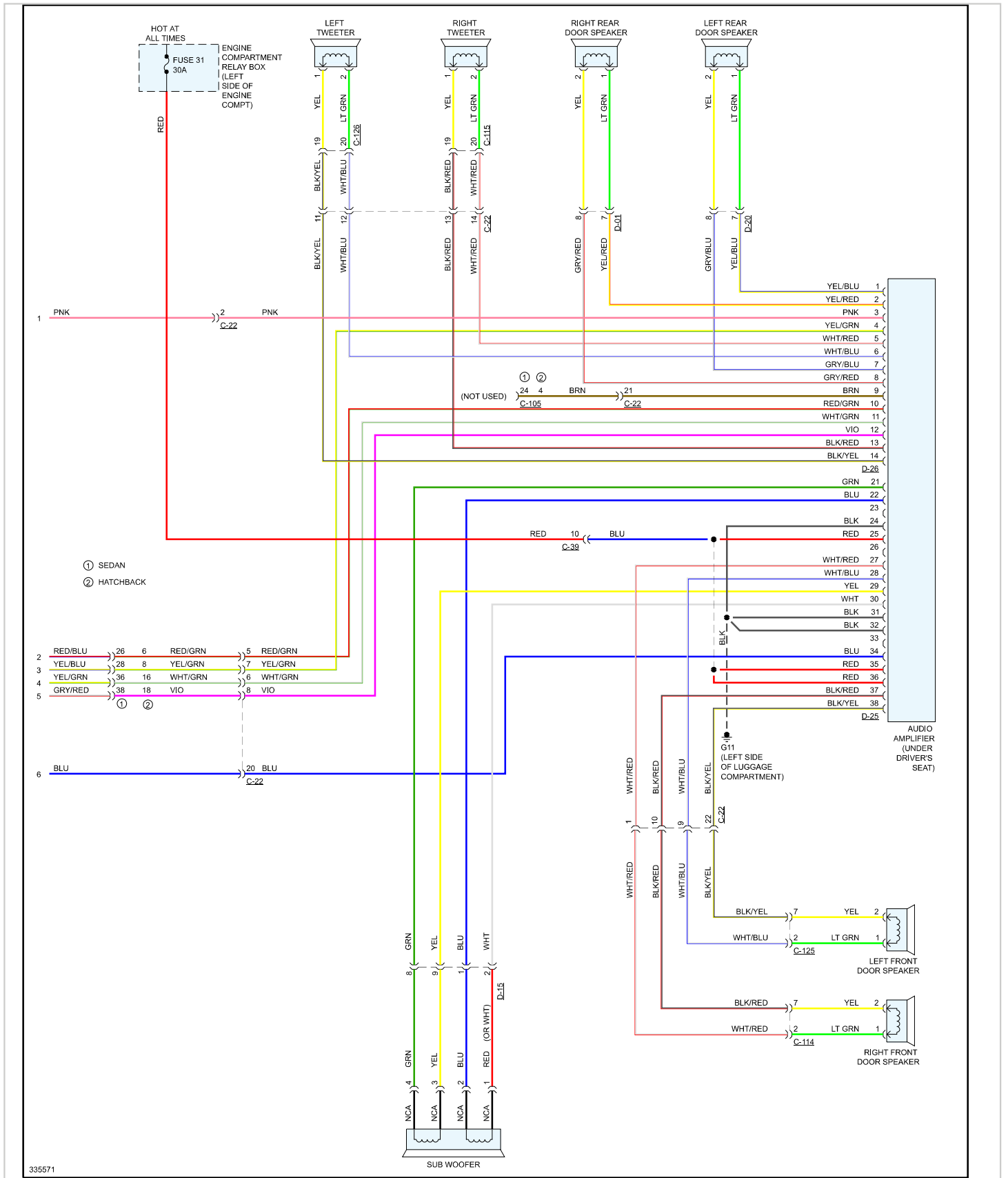
SOUND SYSTEMS - EXCEPT EVOLUTION W/ MULTI-COMMUNICATION SYSTEM W/  
AMPLIFIER

Sound Systems - Except Evolution W/ Multi-Communication System W/ Amplifier

**Page 1 of 3**







335571